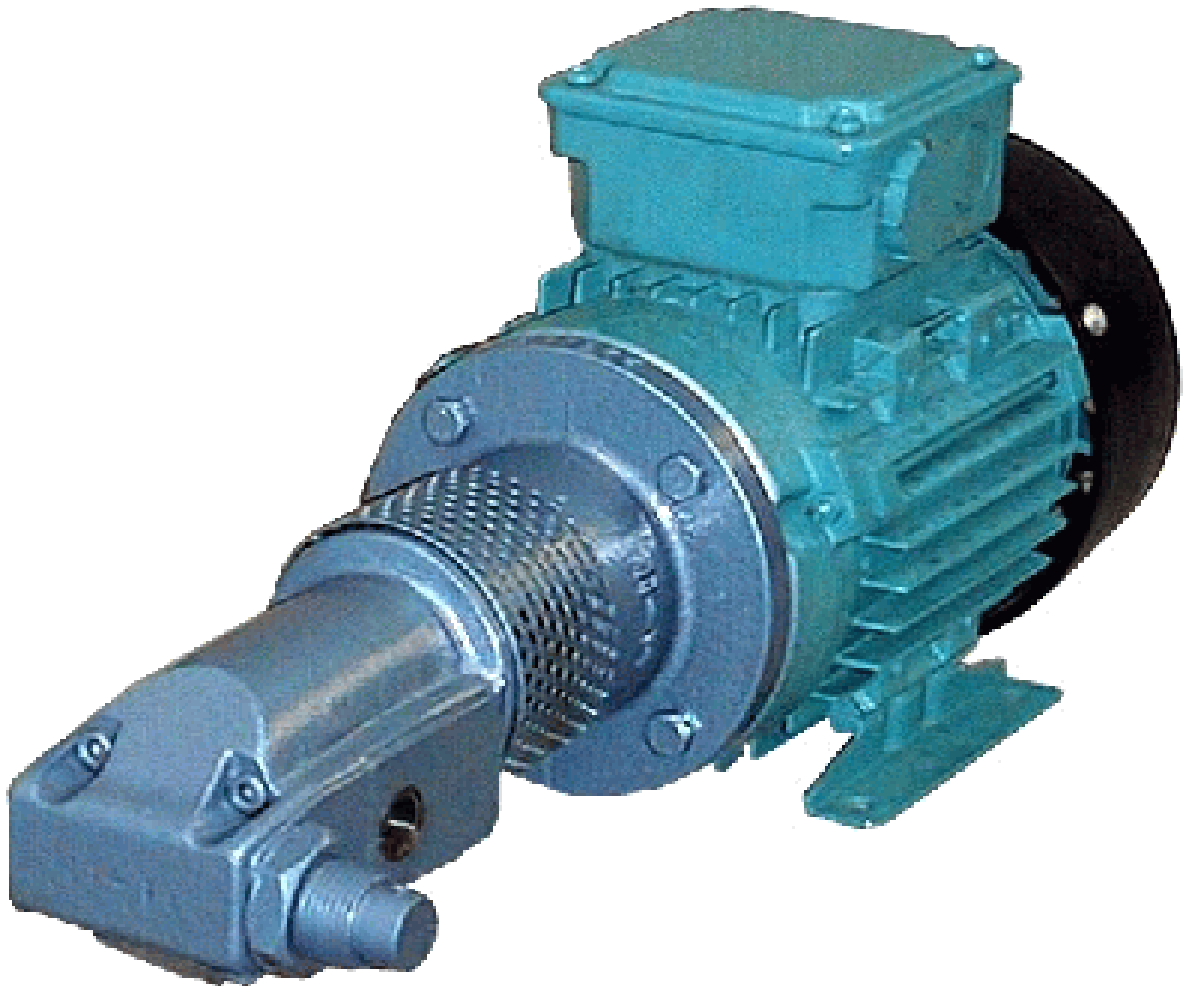


# Albany 25 Series Pumps



## Albany Standard Pumps

(a Division of The Albany Engineering Company Limited)

Richter Works  
Garnett Street  
Bradford  
BD3 9HB

Tel No: +44 (0) 1274 725 351  
Fax No: +44 (0) 1274 742 467  
e-mail: [asp@albany-pumps.co.uk](mailto:asp@albany-pumps.co.uk)  
[Http://www.albany-pumps.co.uk](http://www.albany-pumps.co.uk)

Head Office:  
Albany Engineering Co. Limited  
Church Road,  
Lydney,  
GLOS. GL15 5EQ

Tel No: +44 (0) 1594 842275  
Fax No: +44 (0) 1594 842574

# 25 Series Models

Compact and robust gear pumps with cast iron casings, steel rotors and shafts and adjustable glands. Adjustable internal relief valves are available on all pumps

## FEATURES

- Self-priming
- Constant, non-pulsating flow
- Rotational speeds between 100 rev/min and 3600 rev/min
- Packed adjustable gland, lip seal or mechanical seal
- Choice of bearings
- Motor drive or bare drive shaft
- Electric or air motor drive for normal, extreme or hazardous conditions
- Individually tested

## PRESSURE, FLOW & SUCTION

25 Series gear pumps can produce pressures up to 10 bar depending on available power supply (kW) and liquid. Powers listed in performance tables cover relief valve pattern pumps with discharge pressures up to that stated.

The rate of flow is proportional to the running speed.

Suction lift will vary according to the shaft speed, viscosity and the vapour pressure.

## TEMPERATURE

Running at recommended speeds standard pumps can handle liquids at temperatures from 0°C – 85°C.

Special pumps are available for liquids at extreme temperatures.

## ROTORS

25 Series pumps are fitted with spur gear rotors.

**MOUNTING** – for options and type references see dimension drawings.

## ROTATION

Standard rotation is clockwise, looking from the drive shaft end of the pump. This direction of rotation will be supplied unless otherwise requested.

## APPLICATIONS

Machine tools, sprayers, packaging machinery, bottle washing, de-icing, damp proofing, timber treatment, oil and solvent re-cycling, fuel oil systems, pressure testing, processing, de-greasing, general circulation, lubrication and transfer duties.

## LIQUIDS HANDLED

Fuel oils, coolants, lubricants, solvents, bitumen, liquid wax, molasses, cooking oil, glue, varnish, detergents, anti-freeze, insecticides, sodium hydroxide, paints etc.

## VISCOSITY

25 Series gear pumps are individually tested on oil. The performance details shown are based on these tests at the viscosities stated. Viscosity will rise as temperature falls. Viscous liquids will cavitate at high running speeds. Cavitation can be prevented by heating liquids to reduce viscosity, or pumping at low speeds or both.

## RELIEF VALVES

Relief valves are pre-set to protect the motor from overload. They are not suitable for use as control valves. The relief valve can be supplied for external relief if needed.

## SEALING

Lip seals are standard on all type F models. Packed glands are standard on all type P models with mechanical seal as an option.

Nitrile mechanical seals are standard on type O models. Viton mechanical seals are an option.

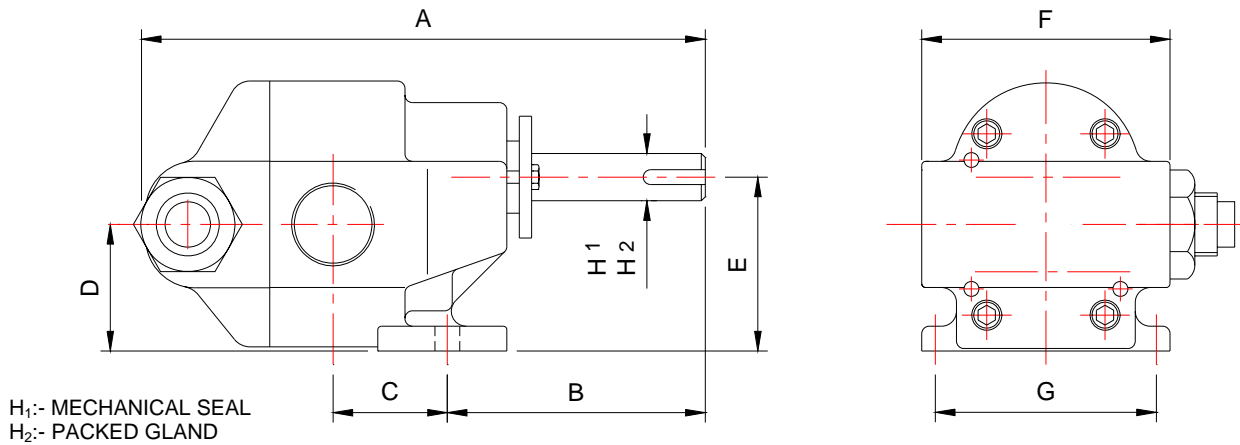
## SUCTION CONDITIONS

Pumps are suitable for suction lifts up to 3m. However, it is advisable for lifts over 2m, long suction runs & suction losses over 0.4 bar to contact Albany sales for advice.

**NOTE:** Suction head and static discharge head on lip seal models must not exceed 0.34 bar g

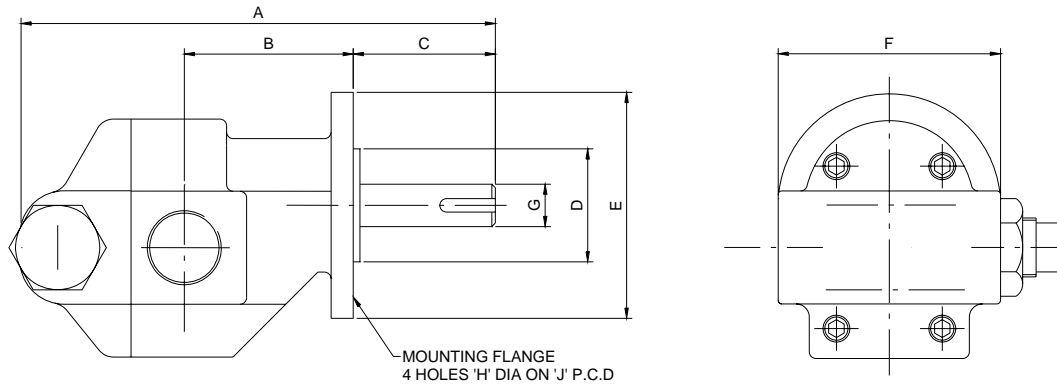
# Dimensions

MODEL TYPE 'P' 25 pedestal mounting, available with: PACKED GLAND or MECHANICAL SEAL



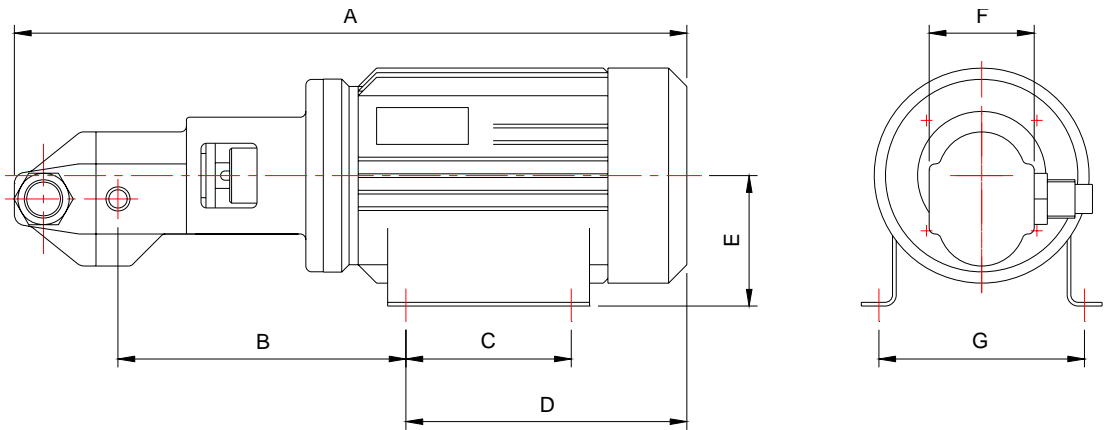
Model 'P'	mm									Branch BSP female	WEIGHT kg
	A	B	C	D	E	F	G	H <sub>1</sub>	H <sub>2</sub>		
25-0375	134	69	14	38	51	60	67	10	13	1/4"	2.2
25-0750	142	68	18	38	51	60	67	10	13	1/2"	2.5
25-1500	161	68	19	38	51	60	67	10	13	1/2"	3.0
25-2000	176	68	19	38	51	60	67	10	13	1/2"	3.4

MODEL TYPE 'F' 25 flange mounting with: LIP SEAL



MODEL 'F'	mm							MOUNTING FLANGE		BRANCH BSP female	WEIGHT kg
	A	B	C	D	E	F	G	H	J		
25-0375	116	30	32	51	102	60	14	9	82.5	1/4"	2.2
25-0750	126	30	36	51	102	60	14	9	82.5	1/2"	2.5
25-1500	145	30	36	51	102	60	14	9	82.5	1/2"	3.0
25-2000	157	30	36	51	102	60	14	9	82.5	1/2"	3.4

**MODEL TYPE 'O' 25 motorised available with: MECHANICAL SEAL**



**Note: D90 motors will have an adaptor flange.**

MODEL 'O'	MOTOR		mm							BRANCH BSP female	WEIGHT kg		
			A	B	C		D	E	F				G
25-375	D71C		398	166	90		176	71	60	112	1/4"	9.5	
25-750	D71C		407	172	90		176	71	60	112	1/2"	10	
25-1500	D71C		427	172	90		176	71	60	112	1/2"	10.5	
25-2000	D71C		439	172	90		176	71	60	112	1/2"	11.0	
25-375	D80C		432	171	100		205	80	60	125	1/4"	12.0	
25-750	D80C		441	177	100		205	80	60	125	1/2"	12.5	
25-1500	D80C		461	177	100		205	80	60	125	1/2"	13	
25-2000	D80C		473	177	100		205	80	60	125	1/2"	13.5	
25-1500	D90S	D90L	420	183	100	125	214	90	60	140	1/2"	16.5	18.5
25-2000	D90S	D90L	432	183	100	125	214	90	60	140	1/2"	17.0	19.0

## Performance

960 rev/min									1420 rev/min								
Model	Viscosity in cst	Capacity in litres/min at				kW at these			Model	Viscosity in cst	Capacity in litres/min at				kW at these		
		0	3.5	7	10	3.5	7	10			0	3.5	7	10	3.5	7	10
25-375	35	3.5	3.2	2.9	2.6	0.12	0.12	0.18	25-375	4	5.1	4.8	4.5	-	0.12	0.18	-
	125	3.5	3.3	3.1	2.9	0.12	0.12	0.18		125	5.1	4.9	4.7	4.5	0.18	0.18	0.25
	1250	3.5	3.4	3.3	3.2	0.25	0.25	0.37		750	5.0	4.9	4.8	4.7	0.37	0.37	0.37
25-750	35	7.1	6.5	5.9	5.3	0.18	0.25	0.37	25-750	4	10.2	10.0	9.8	-	0.25	0.55	-
	125	7.1	6.9	6.7	6.5	0.18	0.37	0.55		125	10.2	10.1	10.0	9.9	0.37	0.55	0.75
	1250	7.1	6.8	6.7	6.6	0.37	0.55	0.55		750	10.0	10.0	9.9	9.8	0.55	0.75	0.75
25-1500	35	14.1	13.0	12.4	11.8	0.25	0.37	0.55	25-1500	4	20.8	20.4	-	-	0.55	-	-
	125	14.1	13.9	13.7	13.5	0.37	0.55	0.75		125	20.8	20.5	20.2	19.9	0.55	1.1	1.5
	1250	14.1	13.6	13.5	13.4	0.75	1.1	1.1		750	19.8	19.8	19.7	19.6	1.1	1.5	1.5
25-2000	35	18.8	18.1	17.4	16.7	0.25	0.55	0.75	25-2000	4	27.7	27.3	-	-	0.55	-	-
	125	18.8	18.6	18.4	18.2	0.37	0.75	1.1		125	27.7	27.5	27.3	27.1	0.55	1.1	1.5
	1250	18.8	18.6	18.4	18.2	0.75	1.1	1.1		750	25.8	25.8	25.7	25.6	1.1	1.5	1.5

Pumps for liquids with viscosities less than 4 centistokes and over 750 centistokes must be referred to Albany sales for selection.