

Instantaneous Couplings for Hose & Pipe Lines

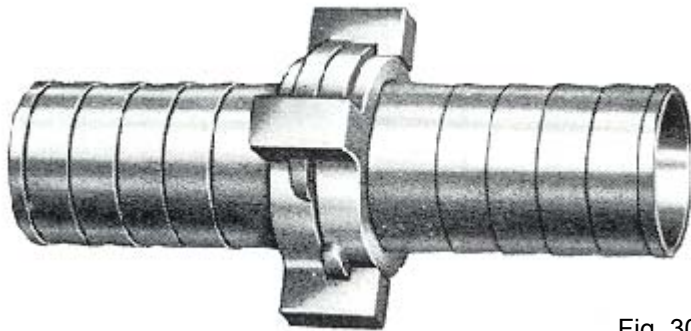
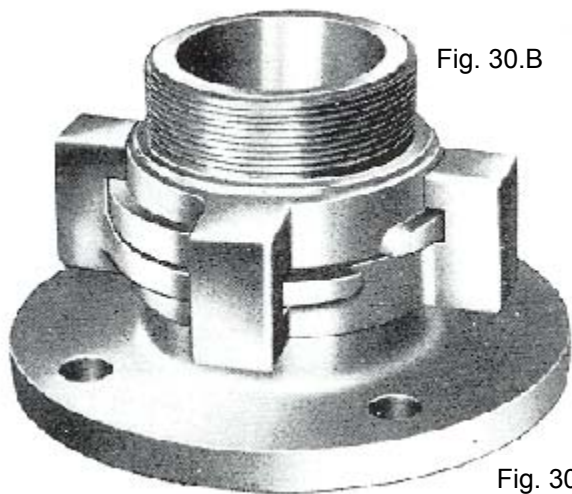


Fig. 30



A pair of Couplings for Flexible
**FOR LIQUIDS OR POWDERS UP TO
200 P.S.I.
1/4 TURN ONLY**

Female Adaptor with Hose
Connector and Blank Cap



Flanged Adaptor and
Male Adaptor



Female Adaptor

Quality Assurance to
BS EN ISO 9001:2000

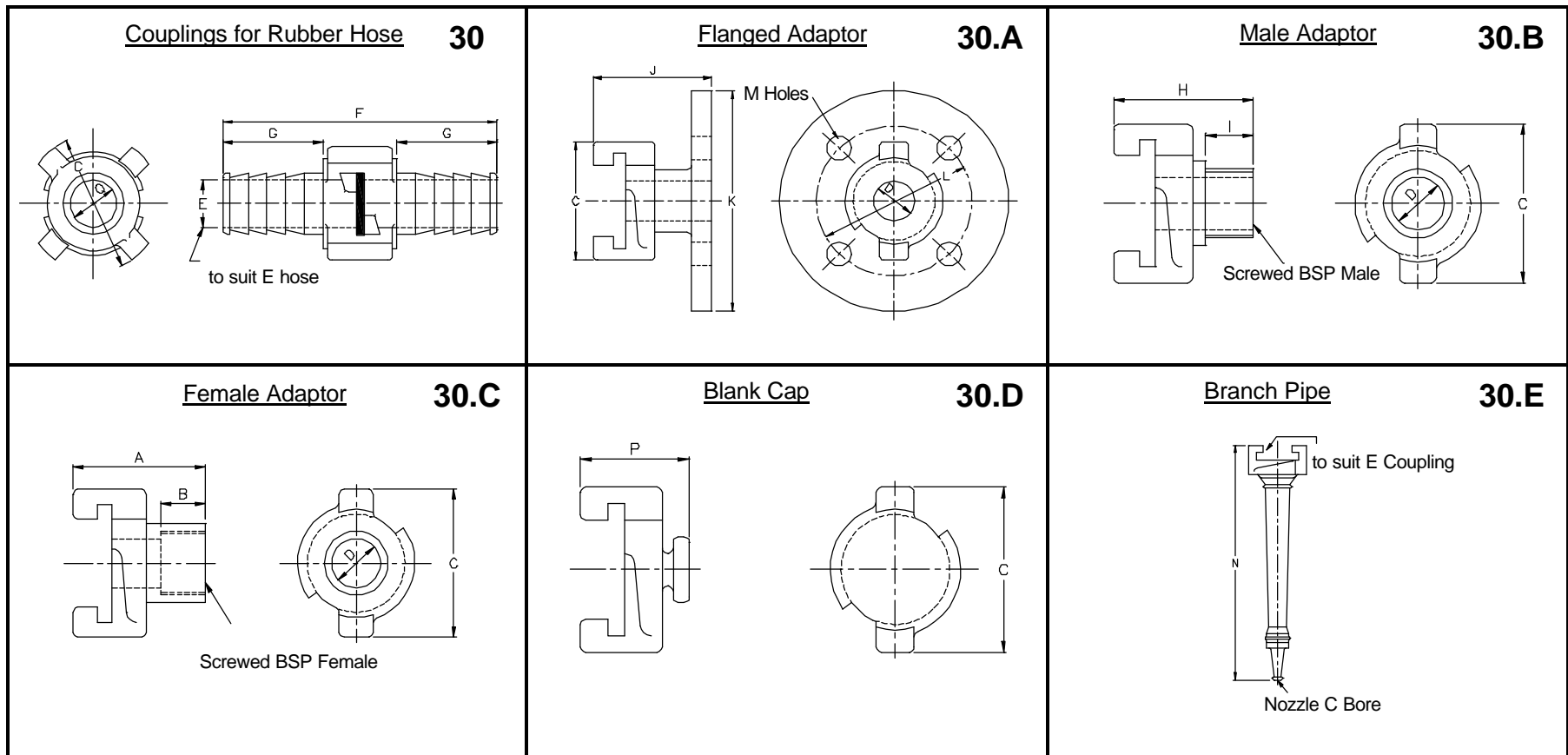


Certificate No. **FM 20986**

ALBANY ENGINEERING COMPANY LIMITED, Church Road, Lydney, GLOS GL15 5EQ

Tel: +44 (0) 1594 842275
Fax: +44 (0) 1594 842574

e-mail: sales@albany-pumps.co.uk
www: albany-pumps.co.uk



DIMENSIONS IN INCHES

WEIGHT IN LBS

SIZE	A	B	C	D	E	F	G	H	I	J	K	L	M	N	O	P	Q	30	30A	30B	30C	30D
3/4	2 3/16	3/4	3	3/4	3/4	4 1/16	1 7/16	2 15/16	3/4	2 3/16	4	2 7/8	9/16	-	-	1 11/16	9/16	1.12	2.50	1.00	.875	.688
1	2 3/16	1	3	3/4	1	4 9/16	1 11/16	2 3/16	4 1/2	2 3/16	4 1/2	3 1/4	9/16	-	-	1 11/16	3/4	1.375	3.000	.813	.813	.688
1 1/4	2 5/16	1	3 3/4	1	1 1/4	5 1/16	1 15/16	2 5/16	1 1/16	2 c	4 3/4	3 7/16	9/16	-	-	1 13/16	1	1.813	3.813	1.125	1.125	.813
1 1/2	2 1/4	f	3 7/16	1 3/16	1 1/2	6 3/16	2 7/16	2 1/4	f	2 d	5 1/4	3 f	9/16	14	1/2	1 13/16	1 3/16	2.375	4.00	1.375	1.188	1.125
2	2 3/4	1	4	1 9/16	2	8 1/16	3 d	2 3/4	1	2 3/4	6	4 1/2	11/16	16	e	2	1 9/16	4.250	6.00	2.00	1.813	1.375
2 1/2	2 3/4	1	4 13/16	2 3/16	2 1/2	10 1/16	4 5/16	2 3/4	1	2 3/4	6 1/2	5	11/16	18	3/4	2 c	2 c	5.750	6.00	3.00	3.00	1.750