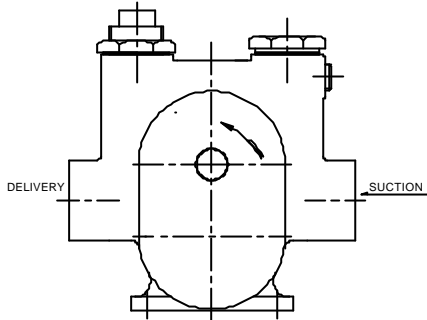


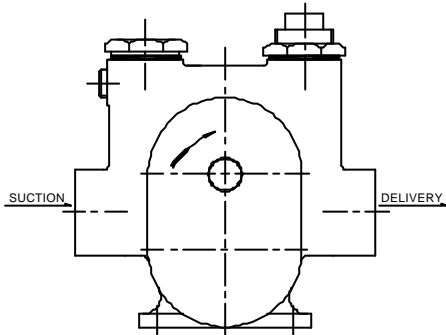


Iss	Date	Raised	Appr.	Sheet	Particulars of Change
1	6/07/04	DC			

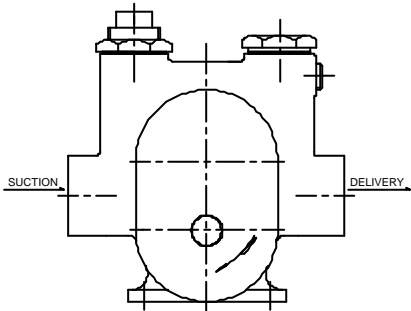
All views are looking on the pump drive shaft and show a relief valve pump (these views will apply equally to a non relief valve pump).



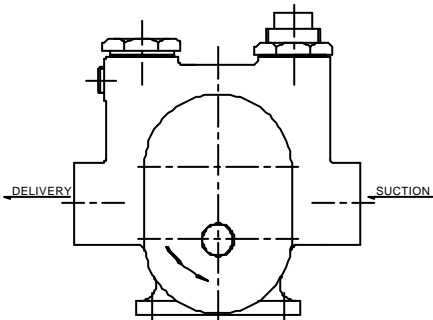
Top Drive / Anti Clockwise Rotation  
(Left hand pump – Flow from right to left)



Top Drive / Clockwise Rotation  
(Right hand pump – Flow from left to right)



Bottom Drive / Clockwise Rotation  
(Left hand pump – Flow from right to left)



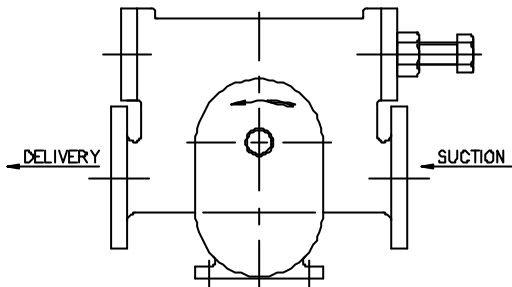
Bottom Drive / Anti Clockwise Rotation  
(Right hand pump – Flow from left to right)

The handing of a pump indicates the direction of flow through the pump looking on the drive shaft.

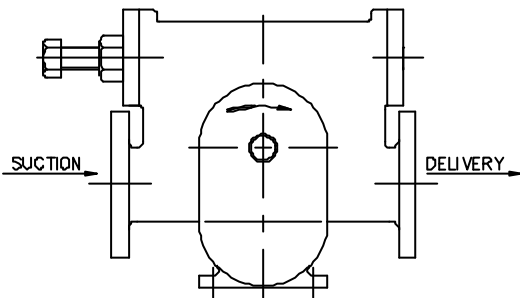


Iss	Date	Raised	Appr.	Sheet	Particulars of Change
1	12/03/04	DC			

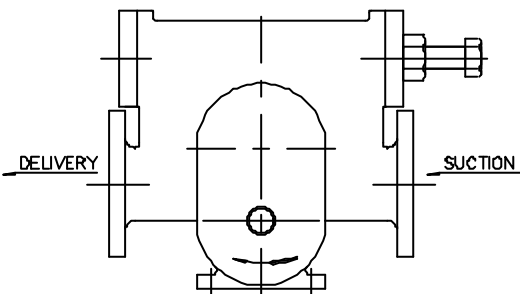
All views are looking on the pump drive shaft and show a relief valve pump (these views will apply equally to a non relief valve pump).



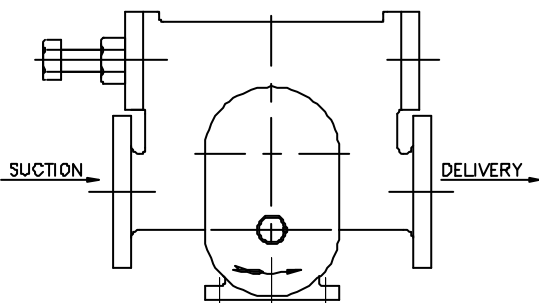
Top Drive / Anti Clockwise Rotation  
(Left hand pump – Flow from right to left)



Top Drive / Clockwise Rotation  
(Right hand pump – Flow from left to right)



Bottom Drive / Clockwise Rotation  
(Left hand pump – Flow from right to left)



Bottom Drive / Anti Clockwise Rotation  
(Right hand pump – Flow from left to right)

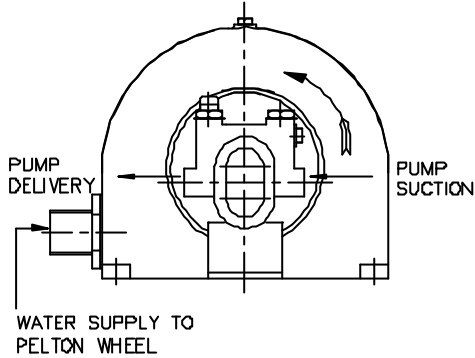
The handing of a pump indicates the direction of flow through the pump looking on the drive shaft.



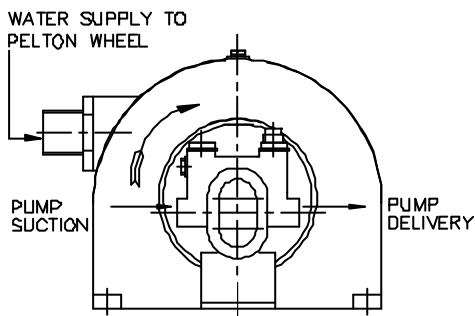
ENGINEERING STANDARDS				No: A00006	Issue: 1	Page 1 of 2
Iss	Date	Raised	Appr.	Sheet	Particulars of Change	
1	12/03/04	DC				

Build configuration detail showing rotation of pump when coupled to a Pelton wheel unit.

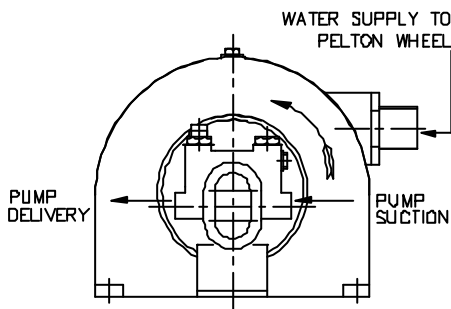
All views are looking on the pump end and show a relief valve pump (these views will apply equally to a non relief valve pump).



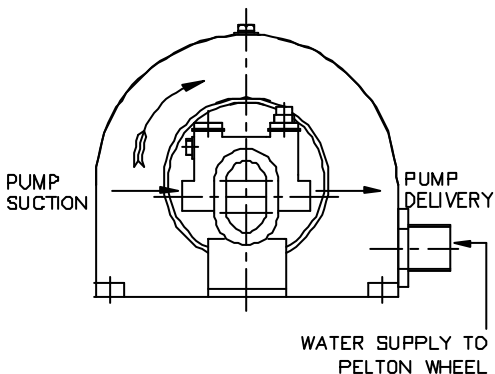
Top Drive / Clockwise Rotation  
Drawing 29818 Option 'A'



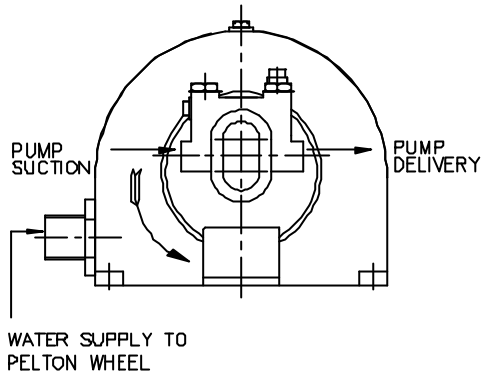
Top Drive / Anti Clockwise Rotation  
Drawing 29818 Option 'B'



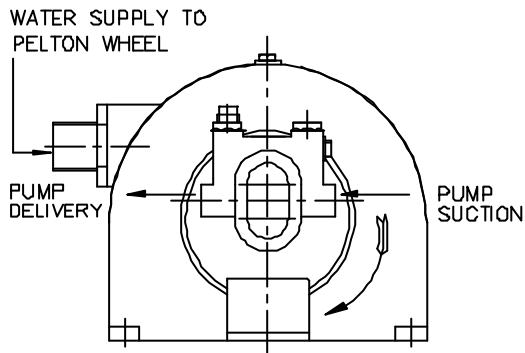
Top Drive / Clockwise Rotation  
Drawing 29818 Option 'C'



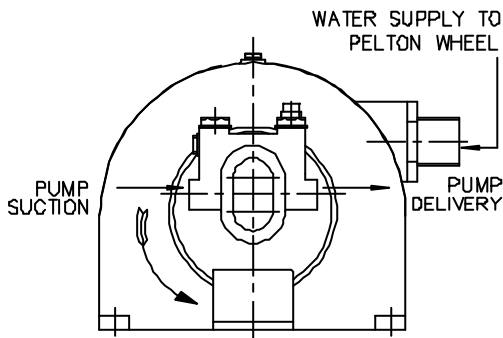
Top Drive / Anti Clockwise Rotation  
Drawing 29818 Option 'D'



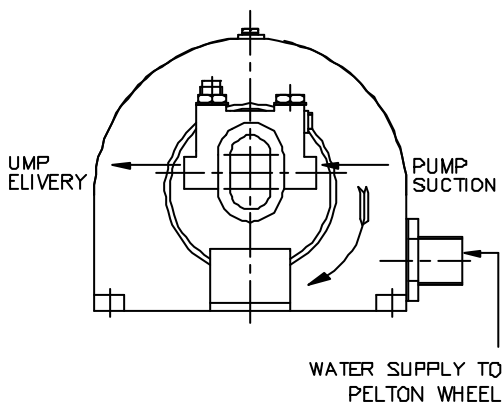
Bottom Drive / Clockwise Rotation  
Drawing 29818 Option 'E'



Bottom Drive / Anti Clockwise Rotation  
Drawing 29818 Option 'F'



Bottom Drive / Clockwise Rotation  
Drawing 29818 Option 'G'



Bottom Drive / Anti Clockwise Rotation  
Drawing 29818 Option 'H'